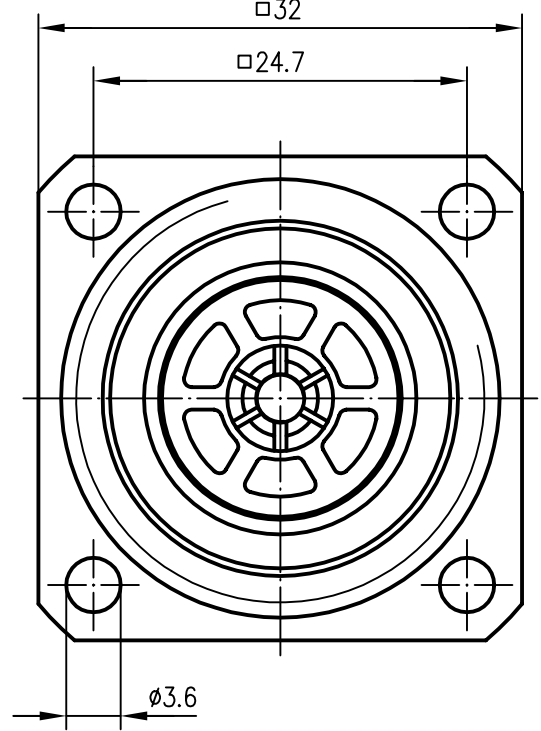
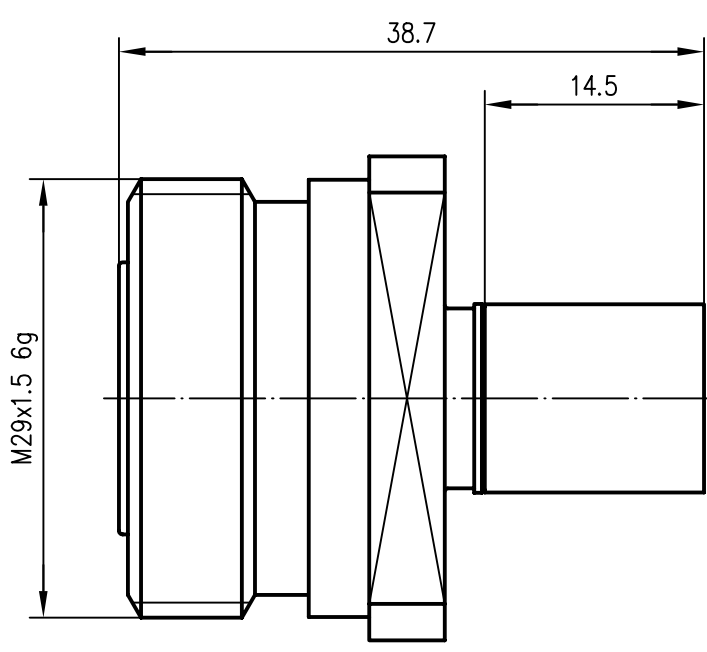


Anschlußmaße nach IEC 60 169-4 /  
 mating face according to IEC 60 169-4



|                                      |                    |         |
|--------------------------------------|--------------------|---------|
| Innenleiter / inner conductor        | CuBe2              | Cu2Ag5  |
| Außenleiter / outer conductor        | CuZn39Pb3          | CuSnZn3 |
| Crimprohr / crimp ferrule            | SF Cu w            | CuSnZn3 |
| Isolierung / insulator               | PFA                |         |
| Kabel / cable                        | RG-214/U           |         |
| Montage / assembly                   | B3512              |         |
| Montageausschnitte / Panel Piercings | Z62                |         |
| VSWR (typisch / typical)             | 1.018 bei/at 1 GHz |         |
|                                      | 1.025 bei/at 2 GHz |         |
|                                      | 1.040 bei/at 4 GHz |         |

|                    |                                       |                |               |  |  |                           |                        |
|--------------------|---------------------------------------|----------------|---------------|--|--|---------------------------|------------------------|
|                    |                                       |                |               | 2003   | Datum/date   | Name/name                 | Werkstoff/<br>material |
|                    |                                       |                |               | gez./drawn   | 04.02.   | HM                        |                        |
|                    |                                       |                |               | gepr./appr.  | 06.02.03   | BJ                        | Oberfläche/<br>finish  |
|                    |                                       |                |               | Norm./stand.   |  |                           |                        |
|                    |                                       |                |               | Maßstab/scale  | Benennung/title  |                           | Telegärtner            |
|                    |                                       |                |               | 2:1  | 7-16-Kabeleinbaubuchse m. Fl.<br>7-16 Panel Jack Crimp |                           |                        |
|                    |                                       |                |               | untol. Maße/<br>dim. without<br>tolerances<br>according to | Untert./doc.type                                       | Zeichnungsnr./drawing no. | Maß/e/dimensions: mm   |
|                    |                                       |                |               | K  | J01121A0146  | Original: DIN A4          |                        |
| Änd./rev.<br>Index | Änderungsmittellung/<br>revision code | Datum/<br>date | Name/<br>name | Ersatz für/<br>replaces                                    |  |                           |                        |